

ECLECTIC.SPIRITED.WONDERFULLY COMFORTABLE.

BROOKE • UPHOLSTERED



Shown in fabric 14637-50 with throw pillows in fabric 19314-89,  
turned leg with brass caster and gracious living wood finish.  
(Shown above: Brooke-117 LSE, Brooke-118 RSE)

Wedge - 011  
L68" D37" H35"

Large Armless - 041  
L64" D37" H35"

Chaise End - 110/111  
RSC/LSC  
L32" D67" H35"

Two Seat End - 114/115  
RSE/LSE  
L56" D37" H35"

Three Seat End - 116/117  
RSE/LSE  
L78" D37" H35"

Three Seat End w/Corner -  
118/119 - RSE/LSE  
L91" D37" H35"

Seat Height 21"  
Seat Depth 22"  
Arm Height 24"

This is a suggested fabric application and wood finish. Fabrics shown are subject to change.  
Sizes and Dimensions will vary from piece to piece due to the individual hand craftsmanship used in every style we produce.  
All furniture style names are for internal reference only, not intended for commercial use.

<b>BROOKE SECTIONAL COLLECTION</b>				
	<b>3-Seat End w/Corner</b>	<b>3-Seat End</b>	<b>Chaise</b>	<b>Large Armless</b>
<b>Standard Features</b>				
20" Contrasting Down Blend Throw Pillow	x (2)	x	x	N/A
Leg Options - See Below*	x	x	x	x
Wooden Leg Finish	x	x	x	x
Cloud Cushion	x	x	x	x
Sinuous Underconstruction	x	x	x	x
<b>Options - See Price List for Prices</b>				
Luxe Cushion	No Charge	No Charge	No Charge	No Charge
Cloud Plus Cushion	x	x	x	x
Contrast Welt (CW)	x	x	x	x
Fitted Arm Covers	x	x	x	N/A
<b>Ordering Instructions</b>				
To Order, Please write the following:	Brooke-118 RSE/119 LSE	Brooke-116 RSE/117 LSE	Brooke-110 RSC/111 LSC	Brooke-041

<b>BROOKE SECTIONAL COLLECTION</b>		
	<b>Wedge</b>	<b>2-Seat End</b>
<b>Standard Features</b>		
19" Contrasting Down Blend Throw Pillow	x	x
Leg Options - See Below*	x	x
Wooden Leg Finish	x	x
Cloud Cushion	x	x
Sinuous Underconstruction	x	x
<b>Options - See Price List for Prices</b>		
Luxe Cushion	No Charge	No Charge
Cloud Plus Cushion	x	x
Contrast Welt (CW)	x	x
Fitted Arm Covers	N/A	x
<b>Ordering Instructions</b>		
To Order, Please write the following:	Brooke-011	Brooke-114 RSE/115 LSE

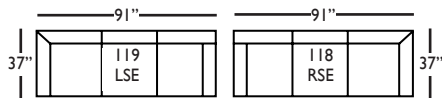
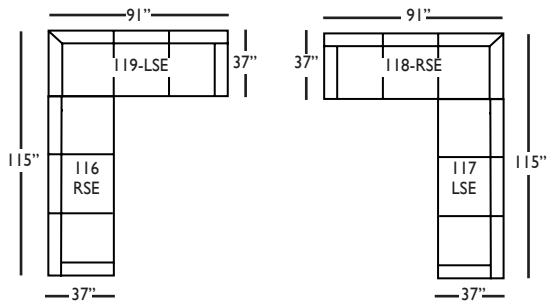
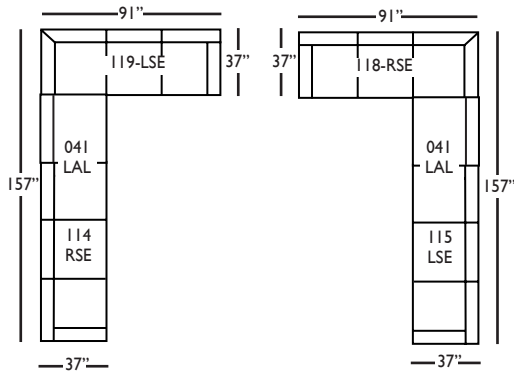
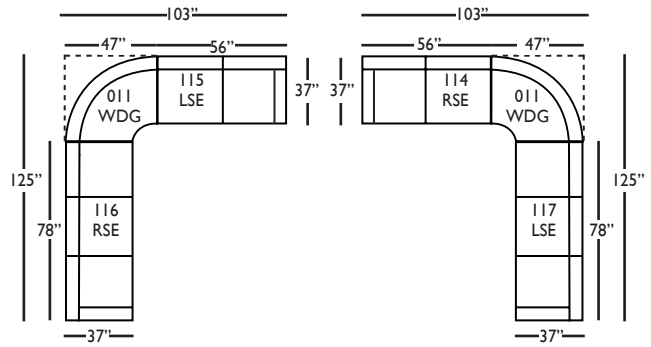
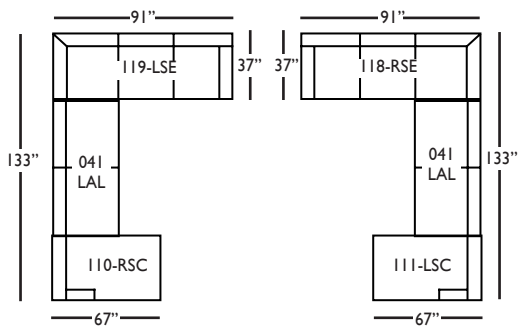
**Pattern Availability: RG, PS, NM, RS**

\*NOTE: There are four (4) different legs available Turned Leg with Caster, Turned Leg NO Caster, Tapered Leg with Caster and Tapered Leg NO Caster. You MUST specify the leg type as Indicated above for each piece.

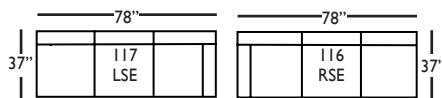
If a leg type is not stated on your order, it will automatically default to the TURNED LEG with CASTER.

Casters are ONLY available in brass finish.

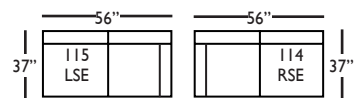
BROOKE • UPHOLSTERED



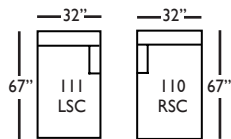
3-Seat End with Corner\*  
L91" D37" H35"  
*\*available as right or left seated*



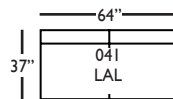
3-Seat End\*  
L78" D37" H35"  
*\*available as right or left seated*



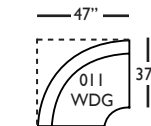
2-Seat End\*  
L56" D37" H35"  
*\*available as right or left seated*



Chaise\*  
L32" D67" H35"  
*\*available as right or left seated*



Large Armless  
L64" D37" H35"



Wedge  
L68" D37" H35"